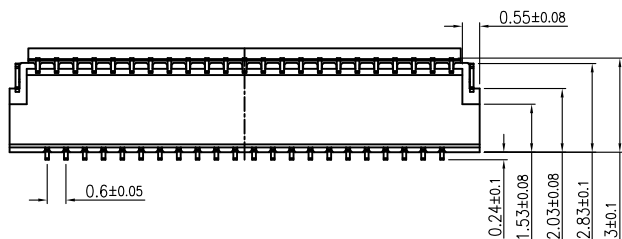
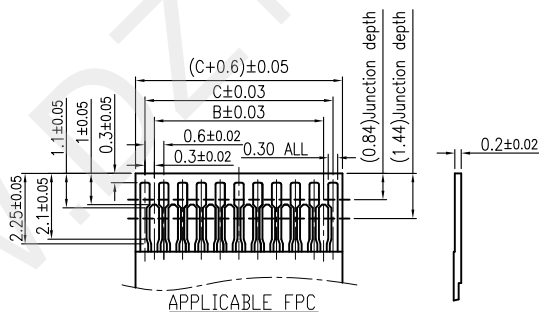
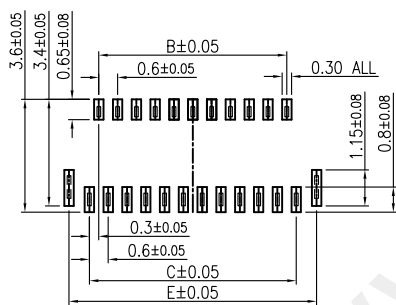


NO POSITIONS	DIM-A	DIM-B	DIM-C	DIM-D	DIM-E
7pin	3.60	1.20	1.80	2.50	3.10
9pin	4.20	1.80	2.40	3.10	3.70
11pin	4.80	2.40	3.00	3.70	4.30
13pin	5.40	3.00	3.60	4.30	4.90
15pin	6.00	3.60	4.20	4.90	5.50
17pin	6.60	4.20	4.80	5.50	6.10
19pin	7.20	4.80	5.40	6.10	6.70
21pin	7.80	5.40	6.00	6.70	7.30
23pin	8.40	6.00	6.60	7.30	7.90
25pin	9.00	6.60	7.20	7.90	8.50
27pin	9.60	7.20	7.80	8.50	9.10
29pin	10.20	7.80	8.40	9.10	9.70
31pin	10.80	8.40	9.00	9.70	10.30
33pin	11.40	9.00	9.60	10.30	10.90
35pin	12.00	9.60	10.20	10.90	11.50
39pin	13.20	10.80	11.40	12.10	12.70
41pin	13.80	11.40	12.00	12.70	13.30
45pin	15.00	12.60	13.20	13.90	14.50
49pin	16.20	13.80	14.40	15.10	15.70
51pin	16.80	14.40	15.00	15.70	16.30
57pin	18.60	16.20	16.80	17.50	18.10
61pin	19.80	17.40	18.00	18.70	19.30
71pin	22.80	20.40	21.00	21.70	22.30



1. 额定电压：周围温度20 ' C 30V(AC,DC);
2. 额定电流：周围温度20 ' C 0.2A(AC,DC);
3. 使用温度：-30 ' C-80 ' C 没有结雾结冰的条件下;
4. 产品所有材料符合ROHS标准;



序号	组件	材料	颜色及规格	QUANTITY
1	主体	LCP	黑色 UL94V-0	1 PCS
2	盖子	PA9T	黑色 UL94V-0	1 PCS
3	端子	磷铜	T=0.12mm 点镀金	依主体pin位
4	焊片	不锈钢	T=0.12mm 全雾锡	左右各1PCS

深圳市华宇创精密电子有限公司

<p>TOLERANCE: X.X ±0.30 X.XX ±0.25 X.XXX ±0.15 X.* ±2° X.X* ±0.5°</p> <p>UNIT: mm [inch]</p> <p>SCALE: 1:1 SIZE: A4</p>	DRAWN BY: 陈一鸣	DATE: 2014-02-23	PART NAME: 0.3PH 1.0H 翻盖下接FPC
	CHECKED BY: 马跃	DATE: 2014-02-23	PART NO. HYC6C-03FPCXX-100
	APPROVED BY: 邱敏	DATE: 2014-02-23	MOLD NO.
			DRAW NO. HYC-2606031613
			SHEET NO. 1 OF 1